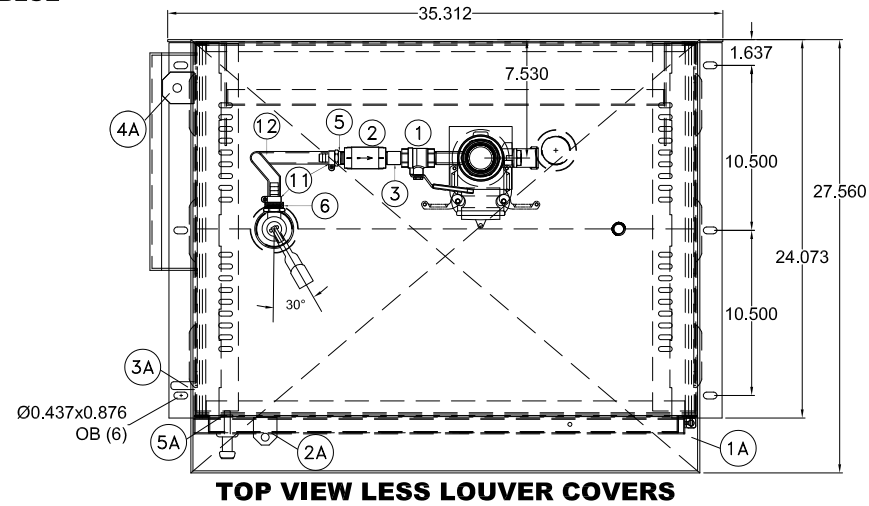


FFP-2 FULL SIZE FUEL PORT 2" (PN. 50002629)

\*\*CUSTOMER DRAWING\*\*

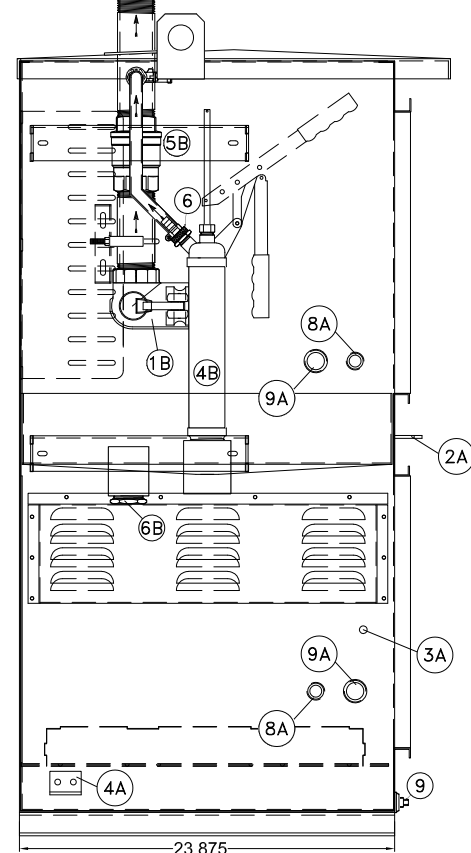
<input checked="" type="checkbox"/>	STD. FILLING SYSTEM DRAWING
<input type="checkbox"/>	NON-STD. FILLING SYSTEM DRAWING

- NOTES
- 1) ALL DIMENSIONS ±.125
  - 2) DUE TO SYSTEM COMPLEXITY SOME COMPONENTS MAY NOT BE VISIBLE IN ALL VIEWS
  - 3) CONSTRUCTION WELDED 14 GA. H.R.S.
  - 4) CABINET COLOR: **WHITE** DOORS COLOR: **BLUE**
  - 5) APPROXIMATE WEIGHT: TBDlbs.

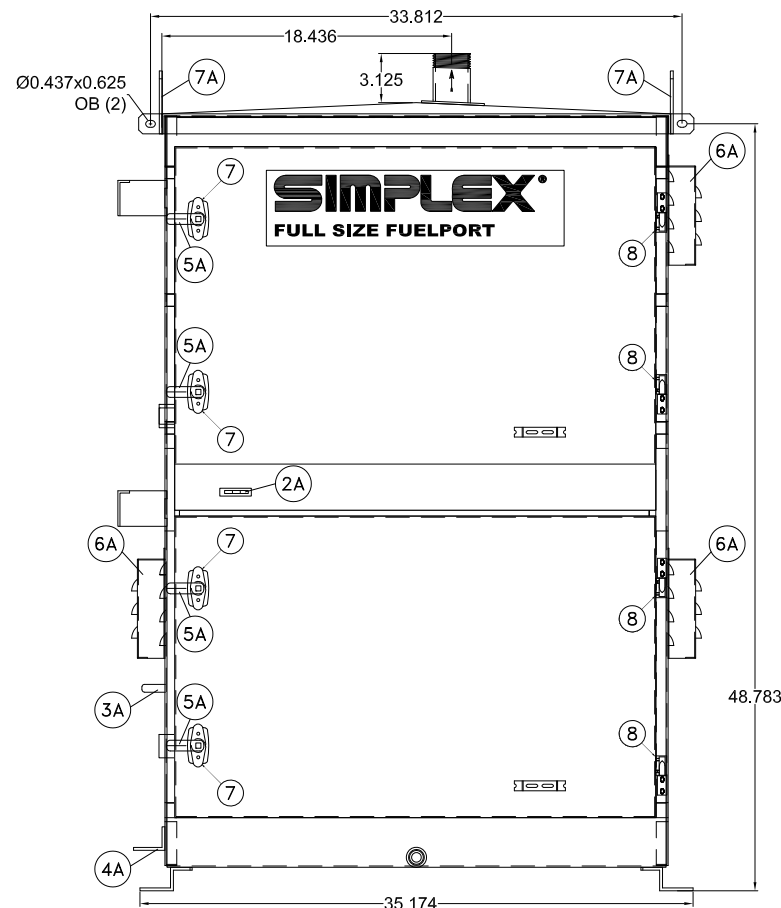


TOP VIEW LESS LOUVER COVERS

OUTLET 2.00" NPT.

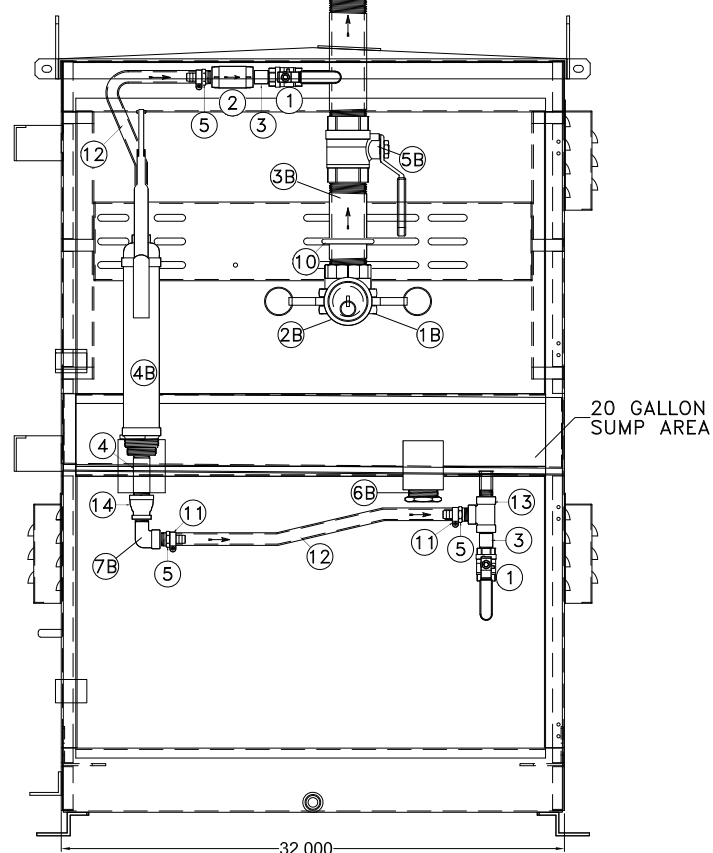


LEFT SIDE VIEW LESS DOORS

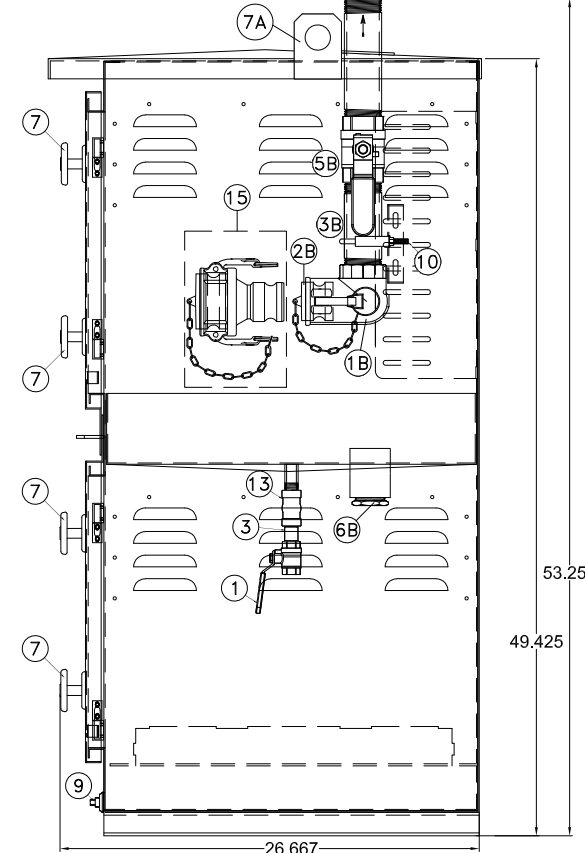


FRONT VIEW

OUTLET 2.00" NPT.



FRONT VIEW LESS DOORS



RIGHT SIDE VIEW LESS LOUVER COVERS

REFERENCE ASSEMBLY (FOR SIMPLEX USE ONLY)			
ITEM	DESCRIPTION	PART NUMBER	QTY.
1A	FULL SIZE FILL BASE WELDMENT ASSEMBLY	ACD-00056396D	1
FABRICATED PARTS (Weld-OPERATION 10)			
ITEM	DESCRIPTION	PART NUMBER	QTY.
2A	COMPACT FILL BASE PADLOCK SLOT/TAB, 7GA. H.R.S.		1
3A	COMPACT FILL BASE STAINLESS STEEL GROUND STUD		1
4A	FULL SIZE FILL BASE STAINLESS STEEL GROUND LUG		1
5A	COMPACT FILL BASE DOOR PAWL, 2.375", GALVANIZED		4
6A	FULL SIZE FILL BASE LOUVER COVER		3
7A	FULL SIZE FILL BASE LIFT EYE		2
8A	0.50" NPT. CONDUIT COUPLING, 150#, BLK.		2
9A	0.75" NPT. CONDUIT COUPLING, 150#, BLK.		2
FUEL ASSEMBLY PARTS (FLOOR STOCK)			
ITEM	DESCRIPTION	PART NUMBER	QTY.
1	BV1 0.50" NPT. MANUAL BALL VALVE, FULL PORT, BRASS/BRONZE BODY		2
2	CV 0.50" NPT. CHECK VALVE, SPRING TYPE, BRONZE W/ VITON O-RING		1
3	NP2 0.50"x1.50" NPT. NIPPLE, SCH. 40, 304 STAINLESS STEEL, TBE		2
4	NP3 0.75"x3.00" NPT. NIPPLE, SCH. 40, 304 STAINLESS STEEL, TBE		1
5	HB1 HOSE BARB 0.50" ID BARB x 0.50" NPT. MALE THREADS, BRASS		3
6	HB2 HOSE BARB 0.50" ID BARB x GHT FEMALE THREADS, BRASS		1
7	DLN DOOR LATCH, NON-LOCKING T-HANDLE, BLACK W/ GASKET		4
8	DH DOOR HINGE 2-1/4"x19/32" #10 W/ UL GREEN SEALING WASHERS		4
9	SP SUMP PLUG, 0.375" NPT. HEX HEAD, 316 STAINLESS STEEL		1
10	PC PIPE CLAMP U-BOLT, STEEL FOR 2.00" PIPE, 3/8"-16 THREAD		1
11	HC HOSE CLAMP W/ STAINLESS STEEL BAND		4
12	H PCV CLEAR BRAIDED HOSE, 0.50" I.D. x 0.75" O.D.		-
13	T1 0.50" NPT. TEE, 150#, 304 STAINLESS STEEL		1
14	RB1 0.75"x0.50" NPT. REDUCER BELL, 150#, 304 STAINLESS STEEL		1

FUEL ASSEMBLY PARTS (FS Assy-OPERATION 10)			
ITEM	DESCRIPTION	PART NUMBER	QTY.
1B	AC 2.00" ANGLE CHECK ELBOW COUPLER, FEMALE NPT. THREAD x COUPLER, ALUMINUM BODY W/ VITON SEAL, PART G		1
2B	DP1 DUST PLUG ADAPTER FOR 2.00" COUPLER, ALUMINUM, PART W		1
3B	N1 2.00"x6.00" NPT. NIPPLE, SCH. 40, 304 STAINLESS STEEL, TBE		1
4B	MHP MANUAL HAND PUMP, STEEL BODY W/ ALUMINUM HEAD & BASE 1-GAL. PER 9 STROKES DELIVERY RATE		1
5B	BV2 2.00" NPT. MANUAL BALL VALVE, FULL PORT, BRASS/BRONZE BODY		1
6B	P1 1.50" NPT. PLUG, HEX HEAD, 150#, 304 STAINLESS STEEL		1
7B	E1 0.50" NPT. STREET ELBOW, 90 DEGREE, 150#, 304 STAINLESS STEEL		1

AVAILABLE PARTS (REFERENCE SALES ORDER FOR OPTIONS)				
FUEL ASSEMBLY PARTS (FLOOR STOCK)				
ITEM	DESCRIPTION	PART NUMBER	QTY.	OPTION
15	RC 3.00"x2.00" REDUCING COUPLER x ADAPTER, 3.00" PART D COUPLER x 2.00" ADAPTER, ALUMINUM BODY W/ VITON GASKET	60000190	1	FSOP-040
	DP DUST PLUG ADAPTER FOR 3.00" COUPLER, ALUMINUM, PART W	22440904	1	
16	DL DIESEL LABEL, 6"x3"H, GREEN/WHITE	24138005	1	FSOP-041
17	GL GAS LABEL, 6"x3"H, RED/WHITE	24138000	1	FSOP-042
18	EQ FLORIDA EQ-481 SPILL CONTAINMENT LABEL, 5.25"Lx2.5"H, WHITE/BLACK	24055213	1	FSOP-043

**DIESEL** 16    **GAS** 17    **Florida EQ-481** 18

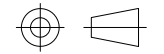


SIMPLEX, INC.  
5300 RISING MOON ROAD  
SPRINGFIELD, ILLINOIS 62711-6228

THE INFORMATION HEREON IS THE PROPERTY OF SIMPLEX, INC., AND/OR ITS SUBSIDIARIES. WITHOUT WRITTEN PERMISSION ANY COPYING, TRANSMITTAL TO OTHERS AND USE EXCEPT THAT FOR WHICH IT IS LOANED IS PROHIBITED.

© 2019 SIMPLEX, INC.  
ALL RIGHTS RESERVED

THIRD ANGLE PROJECTION



REV	DATE	DESCRIPTION	INT	APPR
A	12/30/2019	ORIGINAL DESIGN		

TOLERANCES  
X.XXX ± 0.005"  
X.XX ± 0.010"  
X.X ± 0.020"  
FRACTIONAL ± 1/32"  
ANGLES ± 1°  
SURFACES 125

APPROVED BY: AA  
DRAWN BY: AA  
SCALE: 1:12.0278  
SHEET SIZE: ANSI B  
JOB NUMBER: NA

DESCRIPTION  
FULL SIZE FUEL PORT  
FFP-2 PICTORIAL  
(PN. 50002629)

Approved 12/30/2019

DRAWING NUMBER  
**ACD-00066004**

SHEET NUMBER: 1/1    REVISION: A